

# RFM PREFERRED SEATING RAY CHAIR

## CONTROL OPTIONS

### KNEE TILT RATCHET BACK MULTI FUNCTION WITH SEAT SLIDER

#### Ratchet Back Height Adjustment

Simply lift back to desired position and back locks automatically. To release and reset back position, lift back completely to top stop and return to bottom stop and then move up to the new position.

#### Back Angle Adjustment

While seated, pull paddle up, when desired angle found push paddle down to lock. Back free float in the paddle up position.

#### Pneumatic Height Adjustment

To lower, lift paddle while seated. To raise, lift paddle with your weight off seat.

#### Infinite Seat Angle Adjustment with 6 degree Forward Tilt

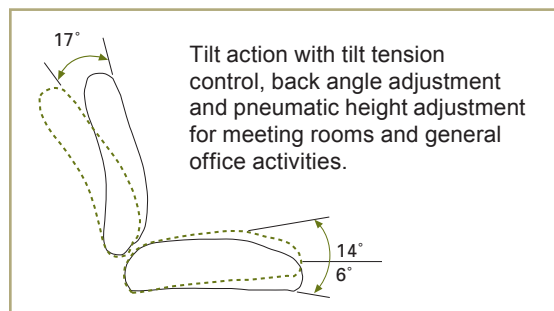
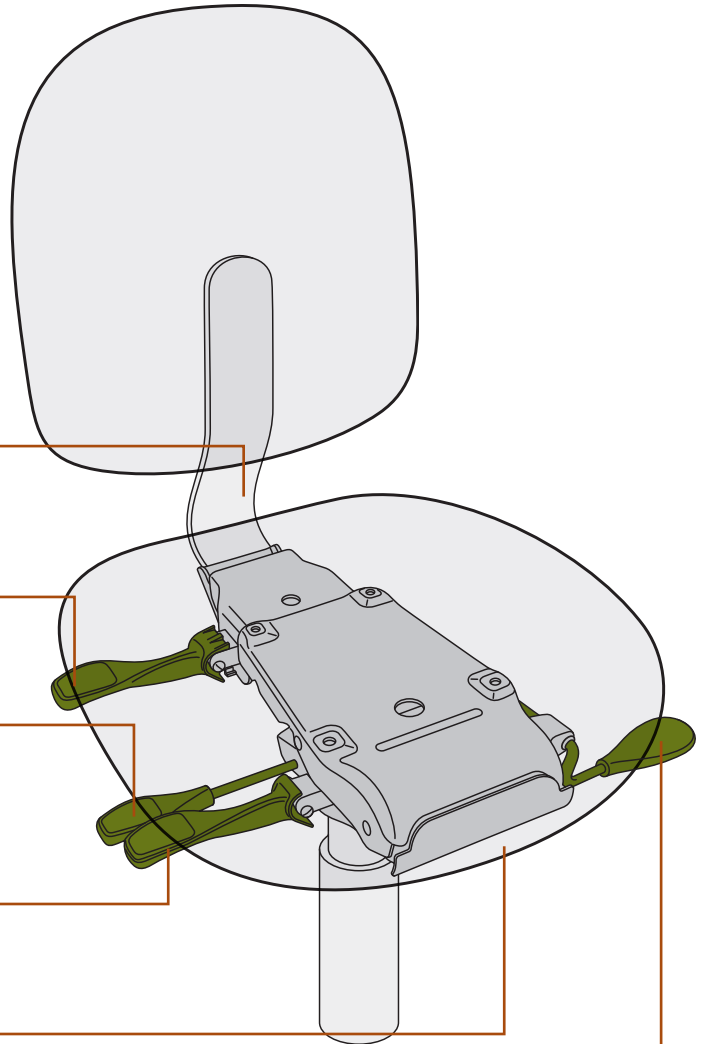
To change seat angle, pull paddle up while seated, push paddle down to lock when desired angle is achieved. Seat can rock.

#### Tension Knob

Turn clockwise to increase rocking tension, turn counter-clockwise to decrease tension.

#### Seat Slider

While seated, pull lever, push seat to desired depth and release lever to lock. Locks in 5 positions over 2 1/2 inches.



Tilt action with tilt tension control, back angle adjustment and pneumatic height adjustment for meeting rooms and general office activities.

# RFM PREFERRED SEATING RAY CHAIR

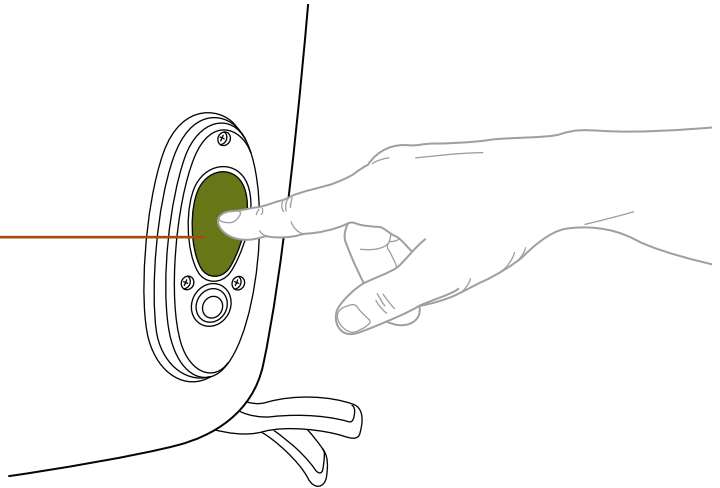
## CONTROL OPTIONS

### AIR LUMBAR

The air lumbar feature of your new RFM chair conforms to the natural curve of your back. The push button design allows easy inflation/deflation to meet your comfort level.

#### To inflate

To inflate the backrest, press the top black rubber bulb on the back of your chair.



#### To deflate

To decrease the firmness, press the small black button.

